

[Total No. of Questions - 6] [Total No. of Printed Pages - 3]  
(2123)

1358

**B. Tech 3rd Semester Examination**

**Machine Drawing (O.S.)**

**ME-3004**

**Time : 3 Hours**

**Max. Marks : 100**

*The candidates shall limit their answers precisely within the answer-book (40 pages) issued to them and no supplementary/continuation sheet will be issued.*

**Note :** Attempt three questions in all, Select one question from each section A, B and C.

**SECTION - A**

1. Sketch a figure illustrating the following terms as per B.I.S.
  - (i) Basic size and zero line.
  - (ii) Upper and lower deviation.
  - (iii) Tolerance zone.
  - (iv) High and low limits. **(30)**
2. Why are the machining symbols used? Draw the symbols used for indications of surface roughness. **(30)**

**SECTION - B**

3. Sketch the welding symbols to indicate:
  - (i) Weld allround.
  - (ii) Shop and site Weld.
  - (iii) Compound Weld. **(30)**
4. Make a dimensional view of a universal coupling take dia. of shaft as 30 mm. **(30)**

**1358/1000**

**[P.T.O.]**

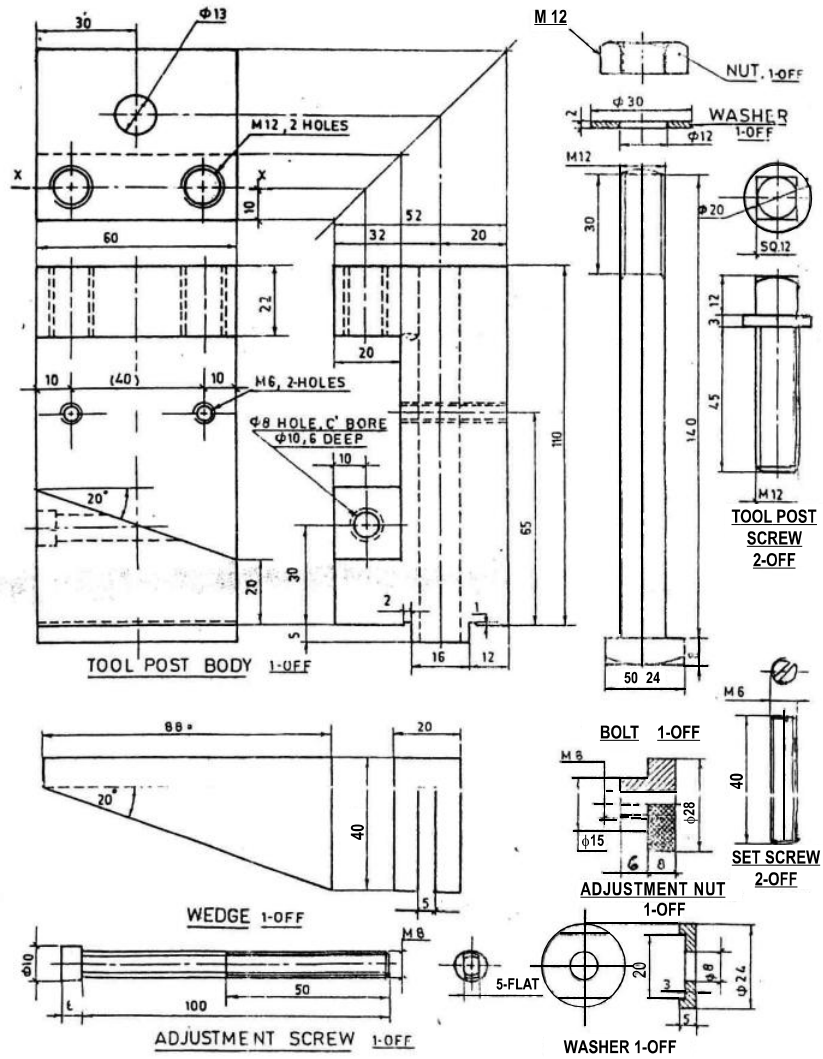


Figure 1

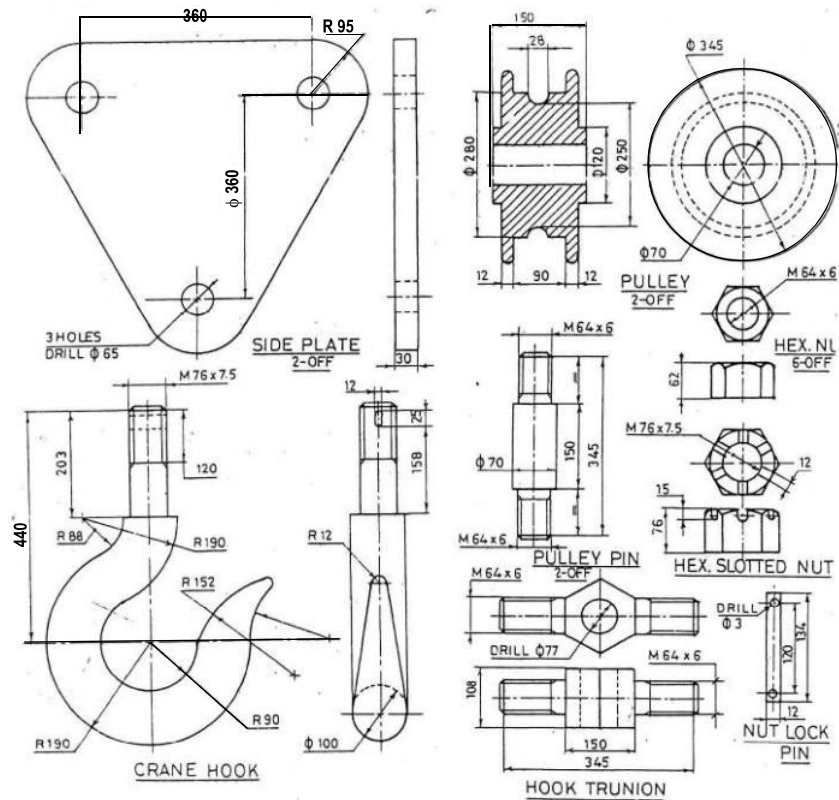


Figure 2

## SECTION - C

- Detail drawings of a Tool. Post are shown in Fig. 1, assemble the parts and draw the sectional front view, section at XX passing through axis of M 12 holes. Also draw its side view and top view and prepare B.O.M. (40)
- Draw orthographic front view full-in-section for a crane hook the details of which are shown in Fig. 2. Prepare BOM also. (40)